

FSHS, Inc.



PuROMax™

"You Get MORE For LESS At FSHS"

PuROMax™

Contacts

FSHS Inc
23380 Janice Ave #5
Port Charlotte, FL 33980

Phone: 941-625-4550
Fax 941-625-6635
Website www.puromax.com

President

Kevin Greene
kevin@puromax.com ext 4

Accounts

Tracy Greene
tracy@puromax.com ext 3

General Manager / Tech Support

Jeremy Greene
jeremy@puromax.com ext 1

Warehouse Manager

Josh Greene
josh@puromax.com ext 5

Sales

Howard Gilliam
howard@puromax.com ext 6

PuROmax™

Table of Contents

Commercial R/O Units

High Pressure R/O	3
Low Pressure R/O	4
Industrial R/O Specs	5
M-300 And M-600	6
M-1000 1000 GPD R/O	7
Commercial R/O Tank Add On	8

Residential

Filter Systems	9
Value Line R/O Units	10
HR-3 Permeate Pump R/O	11
Booster Pumps R/O	12
Champ Custom Build R/O Key	13
Champ Custom Built R/O Information	14

Parts

Industrial Parts	15-16
Residential Membranes and Filters	17
Residential Pumps And Tankd	18
U.V.'s And Filter Housings	19
Residential R/O Parts	20-21
Fittings And Tubing	22-24

Pricing

"You Get MORE For LESS At FSHS"

PuROMax™

High Pressure Reverse Osmosis Units
for TDS over 2000 ppm and under 10k ppm

Standard Features

- * GE Membranes
- * Stainless Steel Membrane Housing
- * Multi Stage SS Centrifugal Pump
- * TDS Monitor for Product and Feed
- * Low Pressure Safety Cut Off Switch
- * Product and Drain Flow Meters
- * Stainless Steel Drain Valve
- * 2" x 20" Sediment Pre Filter
- * Inlet Solenoid Valve
- * Pump Pressure Gauge
- * Comprehensive Warranty
- * Easy to Install and Maintain

Optional Features

- * **Auto Flush**
- * **Waste Recycle**
- * **Pre Filter Gauge**
- * **Control Panel**
- * **Crating**

Control Panel Standard on units 6600 GPD and above



Made in the U.S.A.

*System Specifications: Capacity is based on properly treated feed water of 500ppm TDS at 77 F. with silt index less than 5.

"You Get MORE For LESS At FSHS"

PuROMax™

Low Pressure Reverse Osmosis Units
for TDS less than 2000 ppm.

Standard Features

- * GE Membranes
- * Stainless Steel Membrane Housing
- * Multi Stage SS Centrifugal Pump
- * TDS Monitor for Product and Feed
- * Low Pressure Safety Cut Off Switch
- * Product and Drain Flow Meters
- * Stainless Steel Drain Valve
- * 2" x 20" Sediment Pre Filter
- * Inlet Solenoid Valve
- * Pump Pressure Gauge
- * Comprehensive Warranty
- * Easy to Install and Maintain

Optional Features

- * **Auto Flush**
- * **Waste Recycle**
- * **Pre Filter Gauge**
- * **Control Panel**
- * **Crating**

Control Panel Standard on units 6600 gpd and above



Made in the U.S.A.

*System Specifications: Capacity is based on properly treated feed water of 500ppm TDS at 77 F. with silt index less than 5.

"You Get MORE For LESS At FSHS"

PuROMax™

300 GPD to 15 GPM

PuROMax Reverse Osmosis Units																
Model	Membranes	Product GPD	Product GPM	Reject GPM	Total GPM	Recovery %	Operating Pressure	HP	Volts	Amps	Connection Feed	Connection Product	Connection Reject	Pump Model	Filter	L x W x H
M-300P No Pump	1 3x14	300	0.2	0.2	0.4	50%	65	NA	NA	NA	1/2	3/8	3/8	NA	2 3x14	28 x 7 x 23
M-600P No Pump	2 3x14	600	0.41	0.41	0.82	50%	65	NA	NA	NA	1/2	1/2	3/8	NA	2 3x14	28 x 7 x 23
M-1000	1 3x14	1000	0.69	0.69	1.38	50%	90	1/4	115	7.2	1/2	1/2	1/2	CMP-100	2 3x14	20 x 14 x 28
LP-400	1 2.5x21	400	0.27	0.98	1.25	21%	175	1/2	115	7.2	3/4	3/8	3/8	CPM-80	2x20	
LP-780	1 2.5x40	786	0.55	0.95	1.5	36%	115	1/2	115	7.2	3/4	3/8	3/8	CPM-80	2x20	
LP-1000	1 4x21	1000	0.7	0.96	1.6	43%	80	1/2	115	7.2	3/4	3/8	3/8	CMP-100	2x20	20 x 13 x 48
HP-2200	1 4x40	2200	1.52	3.48	5	30%	225	1	115/230	8.6/4.3	3/4	1/2	3/4	710	2x20	16 x 21 x 54
LP-2800	1 4x40	2875	2	6	8	25%	115	1/2	115/230	13.0/6.5	3/4	1/2	3/4	705	2x20	16 x 21 x 54
HP-4400	2 4x40	4400	3	7	10	30%	215	1	115/230	16.8/8.4	1	1/2	3/4	1015	4x20	22 x 23 x 64
LP-5000	2 4x40	5000	4	4	8	50%	115	1	115/230	8.6/4.3	3/4	1/2	3/4	710	2x20	22 x 23 x 64
HP-6600	3 4x40	6600	4.56	5.44	10	45%	225	1 1/2	115/230	16.8/8.4	1	1/2	3/4	1015	4x20	22 x 23 x 64
LP-7500	3 4x40	7500	5.2	6.8	12	43%	115	1 1/2	115/230	16.8/8.4	1	3/4	3/4	1015	4x20	22 x 23 x 64
HP-8800	4 4x40	8800	6.11	7.89	14	43%	225	3	230	16	1	3/4	3/4	1830	4x20	26 x 28 x 64
LP-11500	4 4x40	11500	7.63	7.63	15	50%	115	1 1/2	115/230	16.8/8.4	1	3/4	3/4	1815	4x20	26 x 28 x 64
LP-17000	8 4x40	17250	11.97	13.01	25	47%	115	3	230	16	1	1	1	2530	4x20	36 x 30 x 74
LP-15	8 4x40	23000	15.97	15.97	32	50%	115	5	230		1	1	1	45HB25013	2 4x20	

Specifications are based on a 2000 mg/l solution at listed unit operating pressure.
 77 F, ph 7.5 after 24 hours. Individual flux may vary +15% / -15%.
 Recovery can be improved up to 75% with the addition of a recycle valve.
 Rev 4.2

Larger units built to your specifications.



LP-2,800



LP-5,000



LP-7,500



LP-17,000

"You Get MORE For LESS At FSHS"

PuROMax™

M-300P

300 GPD WITH NO PUMP

Clean, great tasting water for home, office, and industry.



Specifications

System Capacity GPD*	350
Recovery	50%.
Rejections	97% min.
Pre-Filters	CB 14"
Membrane	Thin Film Composite
TDS	1000p.p.m. max.
Feed Pressure	30-900psi.
Feed Water PH	4-11
Water Temperature	4-45C.
*350 gpd +/- 15% @ 65psi, 25 C Potable Water	

Manufactured by FSHS, Inc. in Charlotte Harbor, Florida, U.S.A.
Not intended for microbiologically unsafe or non potable water.

Standard Features:

- *NSF quick connect fittings for easy installation
- *3/8" tubing for increased delivery and feed
- *Electronic shut off valve
- *Dual Carbon Block 14" pre filter, for chlorine removal
- *Aluminum mounting bracket
- *Installs in seconds
- *No special tools or training needed

***Minimum space required**

***No Pumps**

***Works entirely on water pressure.**

*** Also available in 600GPD**

Order at: toll free 877-767-7876; phone 941-625-4550 fax 941-625-6635

"You Get MORE For LESS At FSHS"

PuROmax™

NEW FOR 2008

**The Worlds Smallest
1000 GPD R/O**

M-1000

14" D x 20" W x 26" T

With all the same options you have come to expect from our larger unit, the M-1000 comes standard with even more. This is the first of several units in our new Mini line. Proving "You get more for less, at FSHS".

1,000 GPD

50% Recovery

Dual Pre Filters*

Low Pressure Safety Switch

High Pressure Shut off Switch

Dual TDS Monitor



SS Pump

Aluminum Frame

GE Membrane Technology

Product Flow Meter

Adjustable Drain Flow Meter

Wall Mountable

This unit has dual pre filters eliminating the need for pre treatment*.

*Unit is designed for city water applications. Pre treatment may still be necessary if the supply has greater than 10 gpg hardness, 1 ppb iron, or 2000 ppm tds.

"You Get MORE For LESS At FSHS"

PuROMax™

Holding Tanks

Our holding tanks come complete with everything you need for installation. They make a great fit with our commercial line of R/O units making them plug and play. Each tank comes with upper and lower floats, Sta-Rite stainless steel submersible pump, high pressure switch, pressure gauge, and 20 gallon pressure tank. These Duke tanks have a twist off top, making easy to service and clean. The 150 gallon model fits thru a standard door too!



Duke150	150 Gallons	30 1/2" W x 56" T
Duke350	350 Gallons	48" W x 64" T
Duke500	500 Gallons	48" W x 86" T

Larger Sizes available upon request.

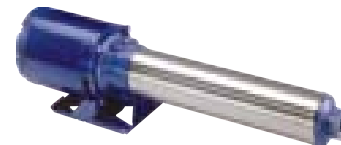
Pressurized

PC66	20G
PC122	33G
PC144	44G
PC211	66G



Booster Pumps

7GBS05	1/2	Booster	SS	Goulds
7GBS10	1	Booster	SS	Goulds
10GBS15	1.5	Booster	SS	Goulds
25GBS30	3	Booster	SS	Goulds



ProConn Pumps

PRO-CMP100	Rotary	SS	100 GPH
PRO-CMP80	Rotary	SS	80 GPH
PRO-CMP60	Rotary	SS	60 GPH

"You Get MORE For LESS At FSHS"

PuROMax™

Filter Systems

Built And Tested In The USA

Dual Filter System



UCDSTD-PR

The UCDSTD-PR comes complete with NSF approved quick connect fittings, self piercing feed valve, NSF approved tubing, and long reach chrome faucet. The UCDSTD-PR also comes with a SF5-10 sediment filter and a PCTO/2 carbon block. Custom filter configurations are available upon request.

Triple Filter System



UCTSTD-PR

The UCTSTD-PR comes complete with NSF approved quick connect fittings, self piercing feed valve, NSF approved tubing, and long reach chrome faucet. The UCTSTD-PR also comes standard with a SF5-10 sediment filter, GAC10N granular carbon, and PCTO/2 carbon block. Custom filter configurations are available upon request.

"You Get MORE For LESS At FSHS"

PuROMax™

Value Line R/O's

Features

- * **NSF Approved 3.2 Gallon Tank**
- * **NSF Approved Quick Connect Fittings PC Models**
- * **Jaco Style Fittings On WC Models**
- * **Long Reach Chrome Faucet**
- * **1 Year Limited Warranty**
- * **Complete Installation Kit**
- * **Filter Housing Wrench**
- * **Installation Instructions**
- * **Color Coded Tubing**
- * **Attractive Packaging**

<u>Part # :</u>	<u>Discription</u>
<u>PC-4:</u>	Quick Connect 4 stage 50 GPD 1/4 Delivery
<u>PC4-38:</u>	Quick Connect 4 stage 50 GPD 3/8 Delivery
<u>PC5-38:</u>	Quick Connect 5 Stage 50 GPD 3/8 Delivery
<u>WCW5000:</u>	Jaco Style 4 Stage 50 GPD 1/4 Delivery
<u>WCW5500-38:</u>	Jaco Style 50 GPD 3/8 Delivery

Units also available in 100 and 150 GPD.



PC-4



WCW5500-38

"You Get MORE For LESS At FSHS"

PuROMax™

HR-3

Improves flow rates (tap pressure) through increased tank pressure

In typical RO systems, performance decreases as tank pressure increases. This limits most RO systems to approximately 60- 70% of line pressure in their tanks. A Permeate Pump enhanced RO system can achieve up to 95% of line pressure without impacting system performance. This provides stronger, more reliable flow rates at your tap and also helps meet the high minimum pressure requirements often required for coffee makers, ice machines, etc.

Summary of Pump Features

- No electricity required, powered only by hydraulic energy normally lost to drain
- Improves water quality by insuring membrane efficiency
- Improves membrane life, prevents "TDS creep"
- Decreases product tank "fill time" by up to 65%
- Reduces drain wastewater by up to 80%
- Increases product tank pressure (up to 95% of feed pressure)
- For all membranes rated 10 - 120 Gpd
- Effective for inlet water pressures as low as 30 PSI
- Compact size for easy installation



Part #
C3-T-50-PP-PR-38
Shown

Built and Tested in the USA

- *NSF Approved 3.2 Gallon Tank
- *NSF Approved Quick Connect Fittings
- *Long Reach Chrome Faucet
- *1 Year Limited Warranty
- *Complete Installation Kit
- *Filter Housing Wrench
- *Installation Instructions
- *Color Coded Tubing
- *Attractive Packaging
- *No Electricity Required

"You Get MORE For LESS At FSHS"

PuROMax™

Booster Pump

The PuROMax booster pump line is designed for low water pressure and or high TDS applications. By boosting the pressure to the membrane it is able to overcome the issues usually associated with undersink R/O's and wells. The most common problems are well systems. Most well systems are designed to operate at 40 to 60 psi when most undersink membranes are rated at 65 psi for maximum output. This means that a conventional R/O unit would be trying to operate at an average of 50 psi. The PuROMax booster pump series boosts the incoming water to about 75 psi allowing you to achieve maximum performance from your system.

The second issue with most units is high TDS, the higher the TDS the more pressure is needed to achieve pure water. With higher pressure you are able to press the pure water through the membrane. As explained above, the PuROMax booster pump series delivers more pressure to the unit to overcome these issues.



Part #
C4-T-50-BP-PR-38
Shown

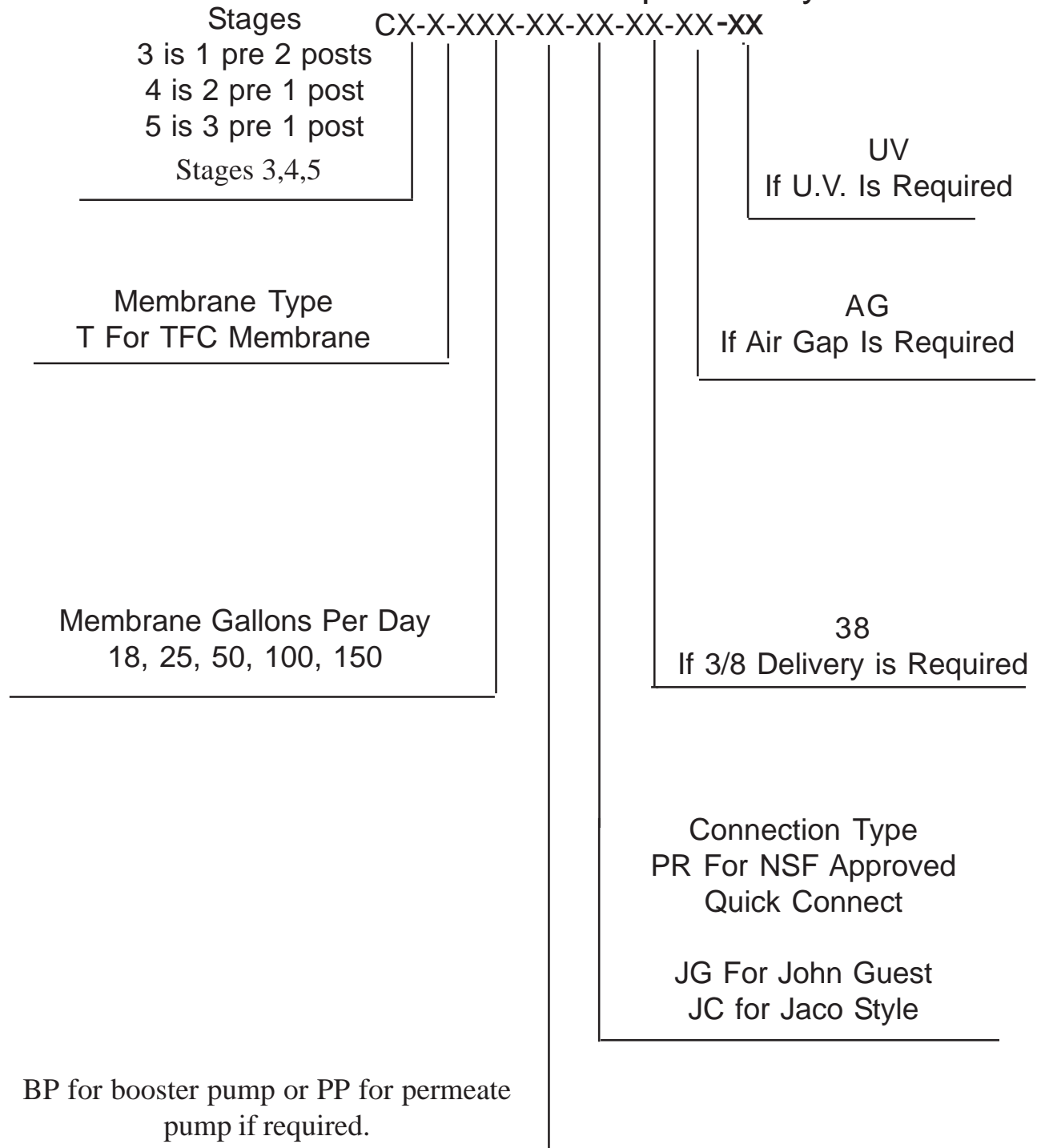
Built and Tested in the USA

- *NSF Approved 3.2 Gallon Tank
- *NSF Approved Quick Connect Fittings
- *Long Reach Chrome Faucet
- *1 Year Limited Warranty
- *Complete Installation Kit
- *Filter Housing Wrench
- *Installation Instructions
- *Color Coded Tubing
- *Attractive Packaging
- *Switch and Transformer

"You Get MORE For LESS At FSHS"

PuROMax™

Custom Built Champ R/O Key



Example C4-T-50-BP-PR-38

4 Stage, 50 Gallon Per Day, Booster Pump NSF Approved Quick Connect Fittings,
And 3/8 Delivery.

"You Get MORE For LESS At FSHS"

PuROMax™

Champ R/O's

The Champ models are built and tested at our factory located in Charlotte Harbor, Florida. This model offers several features over our Value lines. Check out the features and benefits below. If you need further information please let us know.

Key Benefits

- **Built And Tested In The USA**
- **Tested At 130 psi To Insure Leak Free Operation**
- **10 To 300 GPD Capacities**
- **NSF Approved Tank**
- **Available With 3 To 6 Filter Stages**
- **Private Labeling Available**
- **Color Coded Tubing Standard**
- **Available With Jaco Style Compression Fittings**
- **Available With NSF Approved Quick Connect Fittings**
- **Any Filter Combination**
- **Available 2 GPM SS U.V.**
- **Attractive White Box**



Product Certified to
ANSI / NSF 058
Reverse Osmosis Drinking
Water Treatment Systems



"You Get MORE For LESS At FSHS"

PuROMax™

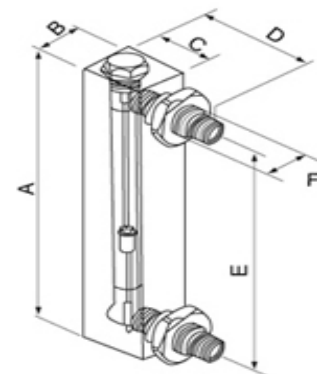
Industrial R/O Parts

Part number	Description
UT040A	1/4" brass panel mount needle valve
UT040E	1/2 SS panel mount needle valve
210-100	Solenoid Valve 110v
210-010-240v	Solenoid Valve 240v
98601397	0-100psi bottom mount gauge
98052437	0-300psi liquid filled panel mount gauge
HR2CU20R1	Tank Float Switch 110v
HR2CU20R2	Tank Float Switch 230v
9013FRG2J23	Reverse action pressure switch



Panel Mount Flow Meters

Model	Measure range L/H		Joint Thread	Float	Dimensions (mm)					
	GPM	LPM			A	B	C	D	E	F
CFM-2	0.2~2	1-7	1/2	SS	206	34	40	70	165	20
CFM-5	0.5~5	1.8~18	1/2	SS	206	34	40	70	165	20
CFM-10	2~10	8~40	3/4	SS	220	41	45	93	165	33
CFM-16	2~16	4~60	3/4	SS	220	41	45	93	165	33
CFM-24	4~24	10~100	1	SS	240	44	50	98	175	33
CFM-35	3~35	10~130	1	SS	240	44	50	98	175	33



"You Get MORE For LESS At FSHS"

PuROMax™

Industrial Membrane Housings

Part Number	Description
PV-2514-SS-ABS	2.5 X 14 SS/316
PV-2521-SS-ABS	2.5 X 21 SS /316
PV-2540-SS-ABS	2.5 X 40 SS/316
PV-4021-SS-ABS	4 X 21 SS/316
PV-4040-SS-ABS	4 X 40 SS/316
PV-4080-SS-ABS	4 X 80 SS/316



Model	L (mm)	L1 (mm)	Feed Port Inches		Permeate Port				
			Inch	(mm)	Inch	(mm)			
PV-2521-SS-ABS	584	528	3/8		3/8				
PV-2540-SS-ABS	1079	1023	3/8		3/8				
PV-4021-SS-ABS	584	528	3/4	20	1/2	15			
PV-4040-SS-ABS	1090	1030	3/4	20	1/2	15			
PV-4080-SS-ABS	2106	2046	3/4	20	3/4	20			



Industrial Membranes

PM-2521-HR3	2.5 X 21	250 GPD @ 225 psi
PM-2521-HF1	2.5 X 21	400 GPD @ 175 psi
PM-2540-HF1	2.5 X 40	766 GPD @ 115 psi
PM-2540-HF4	2.5 X 40	125 GPD @ 90 psi
TF-500	3 X 14	500 GPD @ 90 psi
PM-4021-HF4	4 X 21	1000 GPD @ 100 psi
PM-4040-HR3	4 X 40	2200 GPD @ 225 psi
PM-4040-HF4	4 X 40	2800 GPD @ 115 psi



"You Get MORE For LESS At FSHS"

PuROMax™

Filters And Membranes

Sediment Filters

Part	Description
SF5-10	5 micron 2" x 10"
SF5-20	5 micron 2" x 20"
SF5-10-425	5 micron 10" x 4.25"
SF5-20-425	5 micron 4.25" x 20"



GAC Filters

Part	Description
GAC10N	2" x 10" GAC
Aicro	In Line 10" GAC
GS10Extra.5	In Line KDFGAC
GAC20N	2" x 20" GAC
GACBB-10	4.25" x 10" GAC
GACBB-20	4.25" x 20" GAC



Carbon Blocks

PCTO/2	10u 2" x 10"
PCTO/2-20	10u 2"x 20"
PCTO/2-425-10	10u 4.25' x 10"
PCTO/2-425-20	10u 4.25' x 20"



Standard Membranes

Part number	Description
CTA-16	16GPD CTA
TFC-18	18GPD TFC
TFM-25	25GPD TFC
TFM-35	35GPD TFC
TFM-50	50GPD TFC
TFM-100	100GPD TFC
TFM-150	150GPD TFC
TFM-50EB	50GPD TFC Encapsulated with flow control and check valve
TFM-150EB	150GPD TFC Encapsulated with flow control and check valve



"You Get MORE For LESS At FSHS"

PuROMax™

Storage Tanks

These NSF approved steel tank features a stainless steel nipple, poly diaphragm, plastic base and side mount air charge.

Part number	Description
AQUA-4	4 gal. tank
RO-14	14gal steel

Larger tanks available including atmospheric tanks. See page 9



Pumps

Booster Pumps. For use where water pressure is below 40psi. Price includes transformer and tank shut off switch.

PJ-V6005-G	50GPD
PJ-V6010-G	100GPD
PJ-P1211	50GPD Transformer
PJ-P1311	100GPD Transformer
PR-CV6210B	QC Tank Switch 1/4



Delivery Pumps

DDP8800	1.4 GPM
DDP6800	.6 GPM
115 VAC with cord	

Permeate Pump

This pump is capable of improving the recovery rate by as much as 400% under normal use, while reducing waste water by as much as 80%. The permeate pump increases the net pressure across the membrane by isolating the permeate back pressure to less than 5psi.

ERP-1000 10-100GPD



"You Get MORE For LESS At FSHS"

PuROMax™

Ultraviolet Light Water Sterilizers

U.V. Systems eradicate bacteria and other microbiological contaminants. All of our U.V. units are Stainless Steel construction with high quality quartz sleeves

Part Number	Flow Rate	Port Size
S2QPA	2 GPM	1/4"
S5QPA	5 GPM	3/4"
S8QPA	8 GPM	1"
S12QPA	12 GPM	1"

U.V.'s are available up to 400 GPM



Filter Housings

Filter Housings

Filter housings are manufactured from the NSF listed, FDA grade polypropylene and features EPDM and silicone "O" ring seals.

Part Number	Description	Port size
FH4200	10" housing	1/4"
FH8000	20" housing	3/4"
MH18	Membrane housing	1/8"

Full Flow Housings (big blue style)

BB10	10" Big Blue 1"
BB20	20" Big Blue 1"-1 1/2"



BB10



MH18



FH4200W



BB20



FH8000PR

"You Get MORE For LESS At FSHS"

PuROMax™

Component Parts

- ASVO Auto Shut Off Valve
- PR-CV0201W Quick Connect Auto Shutt Off Valve
- BV-90 Jaco Style Ball Valve 90
- SV-6 Saddle Valve
- SC500B14 Drain Clamp
- FR-*** Flow restrictor 18, 25, 36, 50, 75, 100, 500
- PR-FR4222 Quick Connect Inline Flow Restrictor 50 GPD
- PJ-CV3142 Jaco Style Elbow Check Valve 1/4 Tube X 1/8 MPT
- PR-CV3142 Quick Connect Elbow Check Valve 1/4 tube X 1/8 MPT
- C-2500W Single Membrane Clip
- C-2000W Single Inline Clip
- DC-2500W Double Membrane to Inline clip
- DC-3000W Double Membrane Clip
- PR-HN0404 1/4"Hex Nipple



ASVO



BV-90



SV-6



SC500B-38 SC500B-14



FR-***



PR-FR2242



PR-CV3142



C-2500W



DC-3000W



PJ-CV3142



PR-HN0404

"You Get MORE For LESS At FSHS"

PuROMax™

TDS Tester

TDS-3	3-Digit readout 0-999 PPM
DM1	0-999 Dual TDS Fro R/O
DM-2	0-9999 Dual TDS For R/O



TDS-3

Mounting Brackets

FM-10	Single
FM-20	Single for 2" x 20"
FM-40	Double
FM-60	Triple
B-370	Triple for Pump
FM-25	Big Blue single
B-372	Tripple 2" x 20"
B-720	Tripple 2" x 20" Frame



B-370



FM-10



FM-40



FM-60

Faucets

Flip Style

Part number	Description
WDF103B	Chrome
WDF103W	White
WDF103AG	Air Gap/Chrome

Designer

WDF103BN	Brushed Nickle
WDF103PB	Poslihed Brass
WDF103ORB	Oil Rubbed Bronze
WDF103DW	White
WDF103DC	Chrome
WDF103DB	Black



WDF103B



WDF103BN

"You Get MORE For LESS At FSHS"

PuROMax™

Approved Tubing

John Guest NSF Approved

PE-08-***-0500	Red, Yellow, Black, Blue	1/4
PE-12-***-0500	Red, Yellow, Black, Blue	3/8



High Pressure Parker 360 psi

NBR-8-062	Black	1/2
-----------	-------	-----

Low Pressure Flexible 130 psi NSF Approved

K6155-08	White	1/2
K66155-12	White	3/4
620-010	Clamp	1/2
620-080	Clamp	3/4

Parker High Pressure Fittings NSF Approved

A8MC8-MG	Male Connector	1/2 Tube x 1/2 MPT
A8MC6-MG	Male Connector	1/2 Tube x 3/8 MPT
A8EU8-MG	Elbow Union	1/2 Tube x 1/2 Tube
A8TCB8	Tube To Barb Elbow	1/2 Tube x 1/2 Barb
A8TMC8-MG	Stem Adapter	1/2 Tube x 1/2 Stem
A8TU8-MG	Union T	1/2 x 1/2 x 1/2

Compression Fittings

Jaco* Style fittings

Part No.	Description	Tube"	Pipe"
10-4-4	Male Connector	1/4	1/4
10-6-4	Male Connector	3/8	1/4
40-4-2	Male Elbow	1/4	1/8
40-4-4	Male Elbow	1/4	1/4
40-6-4	Male Elbow	3/8	1/4
40-6-6	Male Elbow	3/8	3/8
60-4-4	Male T	1/4x1/4	1/4
60-6-4	Male T	3/8x3/8	1/4
75-4-4	Male run T	1/4x1/4	1/4
70-4	Union T	1/4	----
70-6	Union T	3/8	----
15-4-4	Tube union	1/4	----
15-6-6	Tube Union	3/8	----
15-6-4	Reducing Union	3/8-1/4	----



*These fittings are neither manufactured nor affiliated with Jaco Manufacturing Company.

"You Get MORE For LESS At FSHS"

PuROMax™

NSF APPROVED

QUICK CONNECT FITTINGS



Male Connector		
Part No.	Tube	NPTF
	OD	Thread
PR-MC0402	1/4	1/8
PR-MC0404	1/4	1/4
PR-MC0406	1/4	3/8
PR-MC0604	3/8	1/4
PR-MC0606	3/8	3/8
PR-MC0608	3/8	1/2
PR-MC0806	1/2	3/8



Stem Elbow		
Part No.	Tube	NPFT
	OD	Thread
PR-SE0404	1/4	1/4
PR-SE0604	3/8	1/4
PR-SE0606	3/8	3/8



Male Elbow		
Part No.	Tube	NPTF
	OD	Thread
PR-ME0402	1/4	1/8
PR-ME0404	1/4	1/4
PR-ME0406	1/4	3/8
PR-ME0604	3/8	1/4



Stem Reducer		
Part No.	Tube	NPFT
	OD	Tube
PR-SR0406	1/4	3/8



Faucet Adapters		
Part No.	Tube	NPTF
	OD	Thread
PR-FA04-716	1/4	5/16
PR-FA06-716	3/8	5/16



Stem Adapter		
Part No.	Tube	NPFT
	OD	Thread
PR-SA0404	1/4	1/4
PR-SA0604	3/8	1/4



Male Run T		
Part #	NPTF	
	Thread	
PR-MRT0404	1/4	
PR-MRT0604	1/4	



Union Connector		
Part No.	Tube	Tube
	OD	OD
PR-UC0404	1/4	1/4
PR-UC0604	1/4	3/8
PR-UC0606	3/8	3/8



Male Branch T		
Part No.	NPTF	Tube
	Thread	OD
PR-MBT0404	1/4	1/4



Union T		
Part No.	Tube	Tube
	OD	OD
PR-UT0404	1/4	1/4
PR-UT0604	1/4	3/8
PR-UT0406	3/8	1/4
PR-UT0606	3/8	3/8



Locking Clips		
Part No.	Tube	
	OD	
PR-LCO04BU	1/4	
PR-LC0006BU	3/8	



"You Get MORE For LESS At FSHS"

PuROMax™

Poly Barbed Fittings

TLS44	1/2 ELBOW
TLS46	1/2 Barb X 3/4 Thread Elbow
TLS64	3/4 x 1/2 Barb Elbow A8TE20812N
TLS66	3/4 barb X 3/4 Thread Elbow
TLS68	NYL ELBOW
TN158	poly fitting
TN44	1/2 x 1/2 Barb Male Connector
TN64	3/4BARB 1/2ML
TN66	3/4BARBX 3/4ML
TN68	3/4BARB 1/2ML
TNS66	Barb 3/4 Male Connect
TPF44	FEMALE BARB A8TAF1088N
TSSS-666	3/4 Union T Barbed



TLS



TPF



TN



TSSS

"You Get MORE For LESS At FSHS"

PuROMax™

**FSHS Inc,
List Pricing
Return Policies
March 2009**

"You Get MORE For LESS At FSHS"

PuROMax™

Warranties:

FSHS Inc, warranties most items to be free from defect in workmanship for a period of one year. Some items are covered by a longer warranty or by the manufacturers warranty. Commercial / industrial units are covered for six months.

Returns

1. Customers are to provide the following in writing:

A. Contact Name, Company Name

B. Item number and reason for return

C. Customers P.O. Number

D. FSHS Inc. invoice number for item

2. All requests for return must be approved by FSHS Inc with an RGA number.

3. No products may be returned or processed without an RGA #.

4. All items returned for credit or warranty inspection shall be sent freight pre paid. No collect shipments will be accepted. It is the customers responsibility to return items to our factory pre paid and assume the risk of damage or loss by freight company.

5. All items must be packaged properly, and membranes must be returned moist and sealed.

6. Items not currently offered for sale, as a current item or special order, will not be accepted for credit.

7. Authorized credits will be issued at the price paid, less 25% restocking charge.

8. Items approved for warranty will be repaired or replaced and returned freight pre paid at the descecession of FSHS Inc.